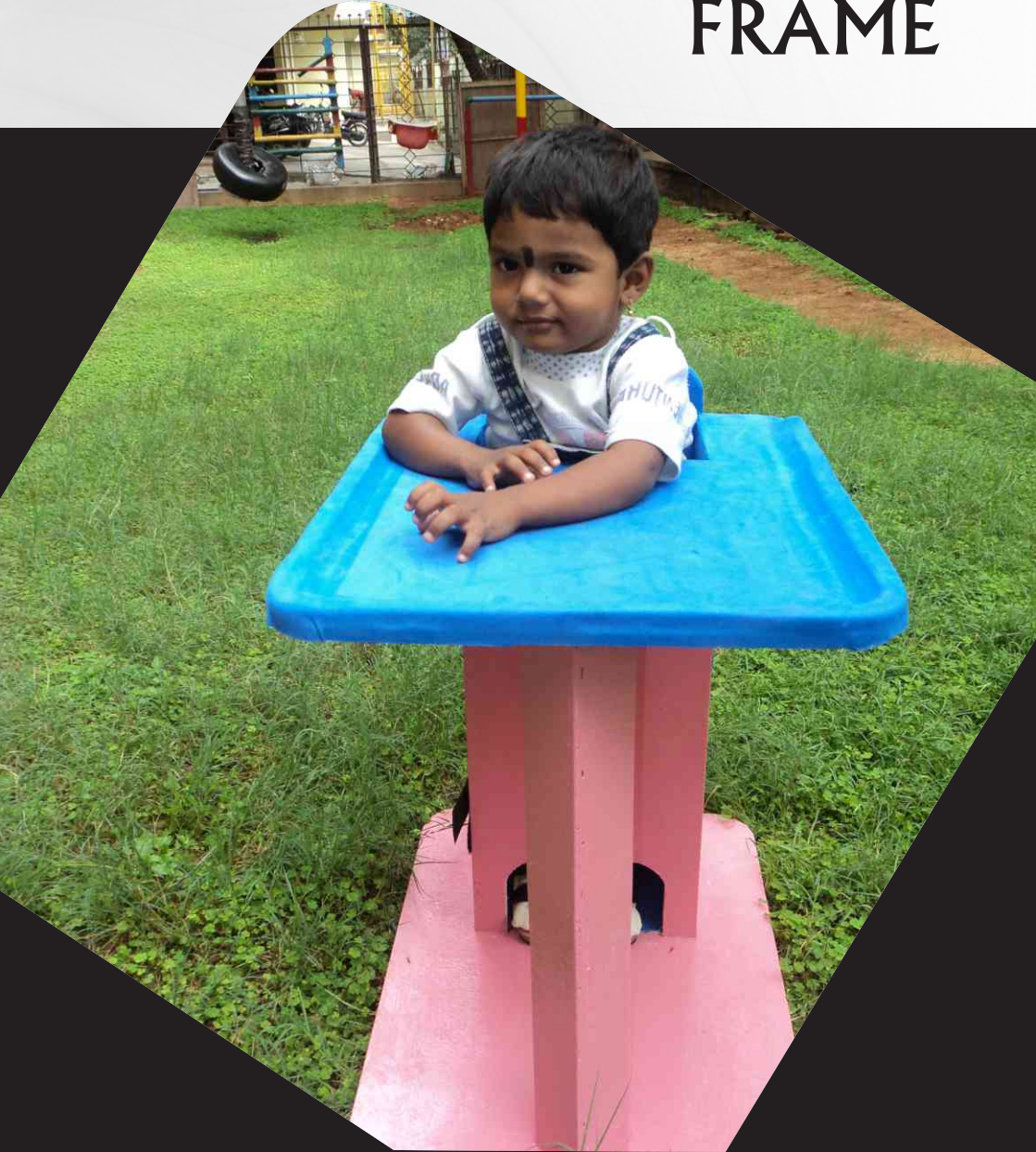
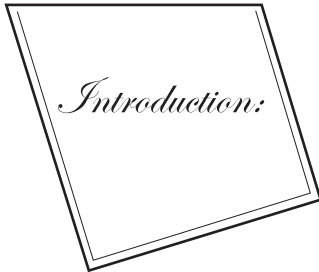
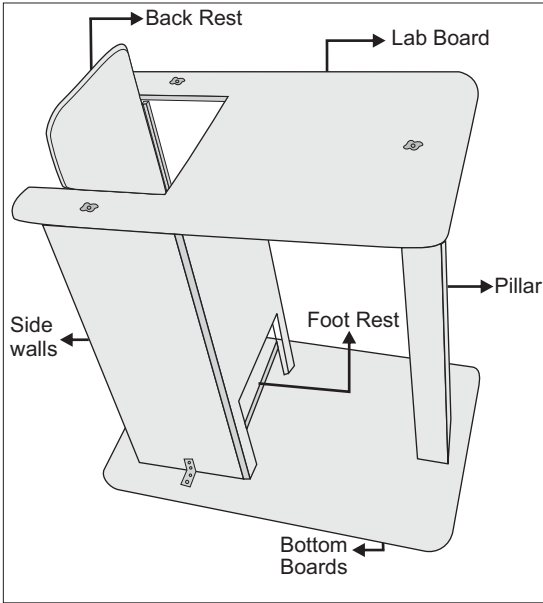


# A MANUAL For STANDING FRAME



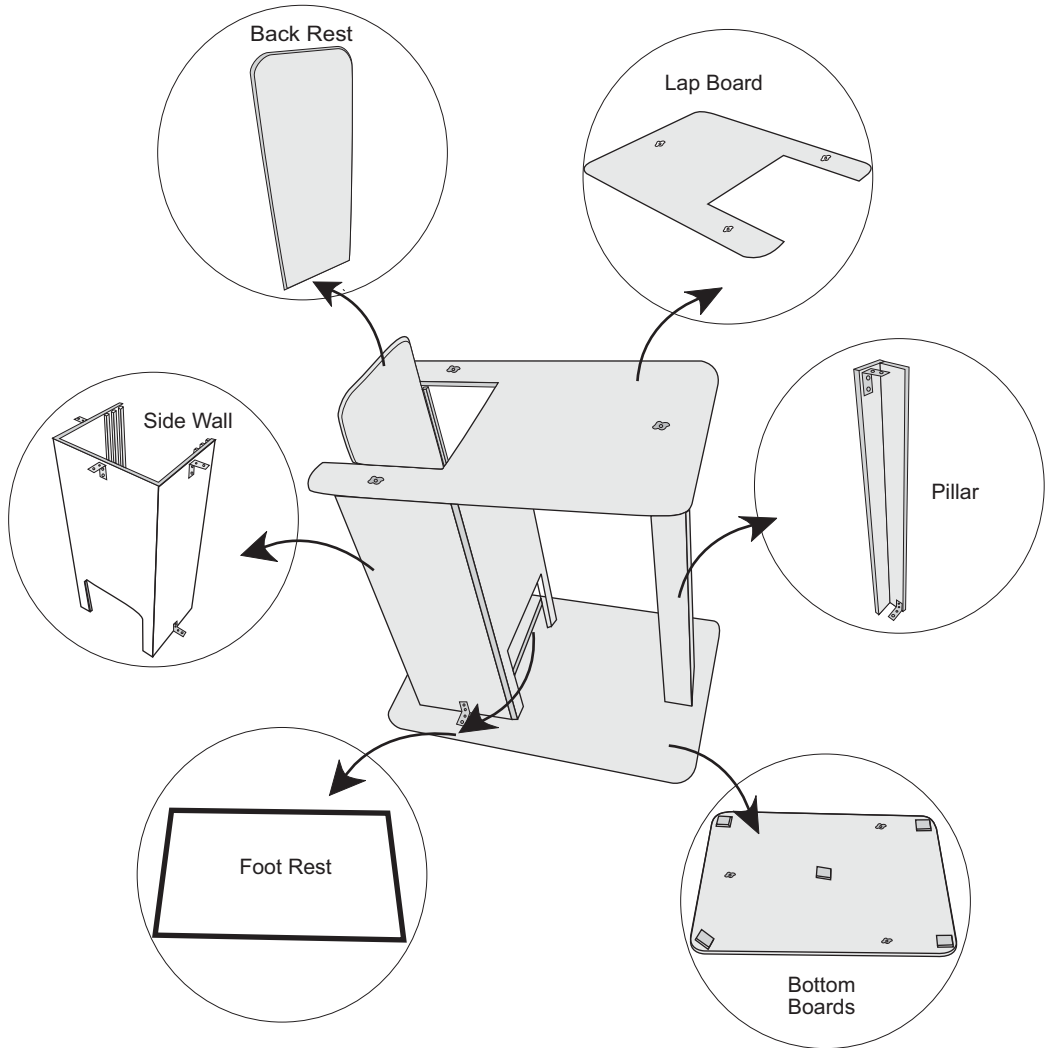
## Standing Frame and Its parts



### When to use:

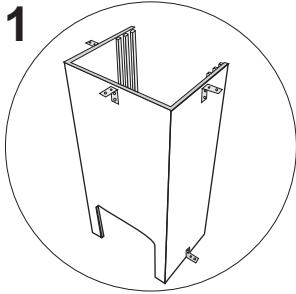
- ⇒ To maintain proper standing position.
- ⇒ Enables children to stand independently.
- ⇒ For safe and stable standing.
- ⇒ Support to the feet, knees, hip and trunk.
- ⇒ If child is trying to pull up to stand by himself from a low chair.
- ⇒ For children who are able to sit but unable to stand.

# Parts of Standing Frame

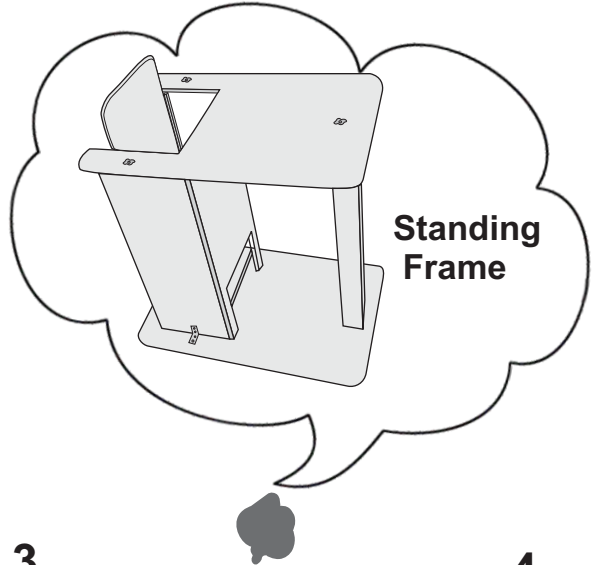


# How to Assemble A Standing Frame

1

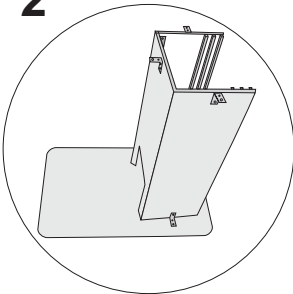


Assemble the Side wall



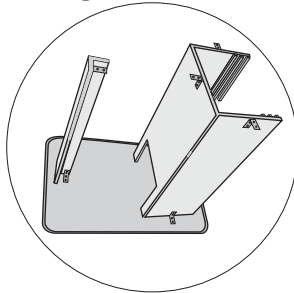
Standing Frame

2



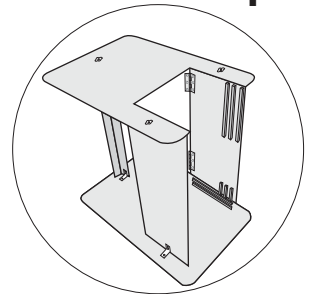
Assemble the Bottom board

3



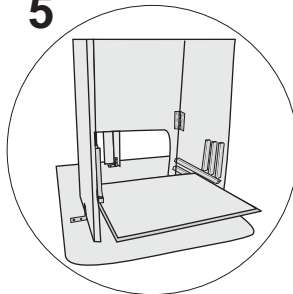
Assemble the Pillar

4



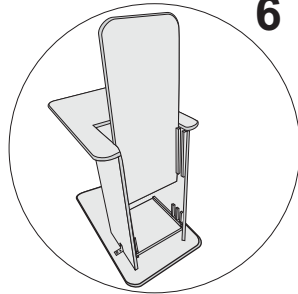
Assemble the Lab board

5



Assemble the Footrest

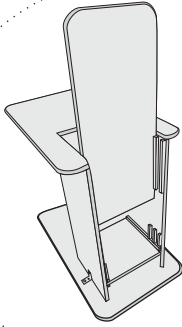
6



Assemble the backrest

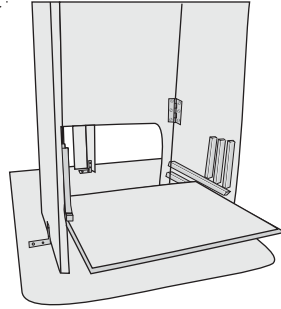


# How to Dismantle A Standing Frame



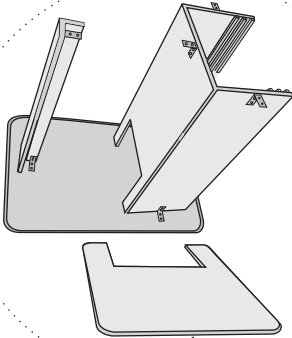
1

**Remove the Backrest**



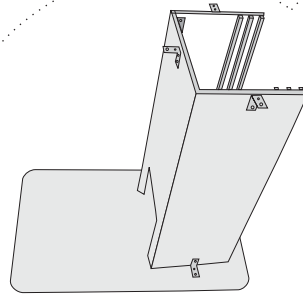
2

**Remove the Footrest**



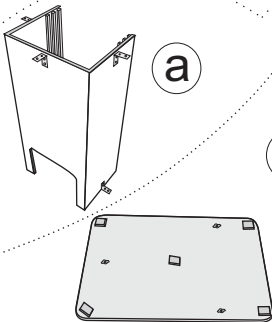
3

**Remove the Lab board**



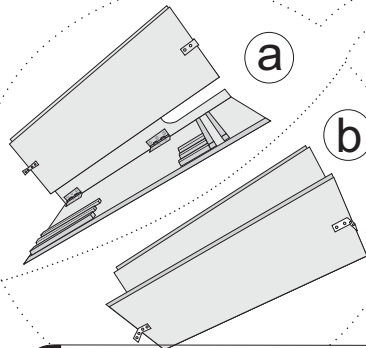
4

**Remove the Pillar**



5

**Remove the sidewall**



6

**Folding of sidewall**

## Benefits:

- ⇒ Helps a child stand in a good position which creates opportunity to explore and develop in other areas e.g. – fine motor, social etc
- ⇒ Helps to reduce spasticity by weight bearing and breaking up extensor patterns of tone.
- ⇒ Helps in maintaining alignment and preventing muscle contractures and deformities.
- ⇒ May facilitate postural control which is essential for standing balance.
- ⇒ Encourage Arm function and encourages play
- ⇒ Ease of assembling and dismantling.
- ⇒ Self sustained and does not need to be attached to the wall.
- ⇒ Adjustable foot-rest and back-rest.

## Instructions to Parents and Care givers:

- ⇒ Never leave a child unattended when using a developmental aid (special chair)
- ⇒ A developmental aid should be used on a level floor and never on a raised or uneven surface
- ⇒ Do not use a developmental aid as a mobility device.
- ⇒ Always use all of the position straps if provided.
- ⇒ Allow one finger width between a belt and the child.
- ⇒ Water spray can be used to clean stains
- ⇒ Always ensure that the aid is dry before use
- ⇒ Child should be encouraged to stand for 2 to 4 hours in the whole day.
- ⇒ Child is encouraged in the standing frame for play and feeding

## Future Plans :

Please tick appropriate checkbox

- Advised for regular therapy
- Advised to enroll in the regular school/ special school/ Anganwadi school for the better improvement
- Reverse walker could be provided later to the standing frame

## Rehabilitation facilities at Mobility India

- ⇒ Physiotherapy /Occupational therapy service;
  - *Neuro developmental therapy,*
  - *PNF technique,*
  - *Accessibility / barrier free environment,*
  - *Visual & auditory stimulation*
- ⇒ Amputation Rehabilitation; Pre operative, Post operative, Pre-prosthetic management,
- ⇒ Prosthesis & orthosis service with Gait (WALK) training facilities.
- ⇒ Rehabilitation for elder people.
- ⇒ Wheelchair service provision with based on WHO guideline,
- ⇒ Developmental aid & assistive devices service provision.
- ⇒ Rental services of wheelchair, crutch, walker, cane .
- ⇒ Mobile taxi service for wheelchair user.



## Reverse Walker

Posterior Support Walkers are walking aids, the person pulls from behind. Lightweight posterior gait trainer is an advance height adjustable pediatric safety roller that improves postural alignment and maximizes the potential for walking. Posterior walker have been proved suitable by the researchers.



**Mobility India (MI)** is a registered society, established in 1994 in Bangalore, Karnataka and our regional resource centre is in Kolkata, West Bengal. MI's objective is to provide support to ensure that people with disabilities have equal rights and a good quality of life, particularly the poor people living in rural areas and urban slums.



**MOBILITY INDIA**

Rehabilitation Research & Training Centre

1st & 1st 'A' Cross, 2nd Phase, J.P. Nagar Bangalore - 560078, INDIA

Telephone : +91-80-26492222 Ext-120 , Telefax : +91-80-26494444

Email : [therapy@mobility-india.org](mailto:therapy@mobility-india.org) / [e-mail@mobility-india.org](mailto:e-mail@mobility-india.org)

[www.mobility-india.org](http://www.mobility-india.org)